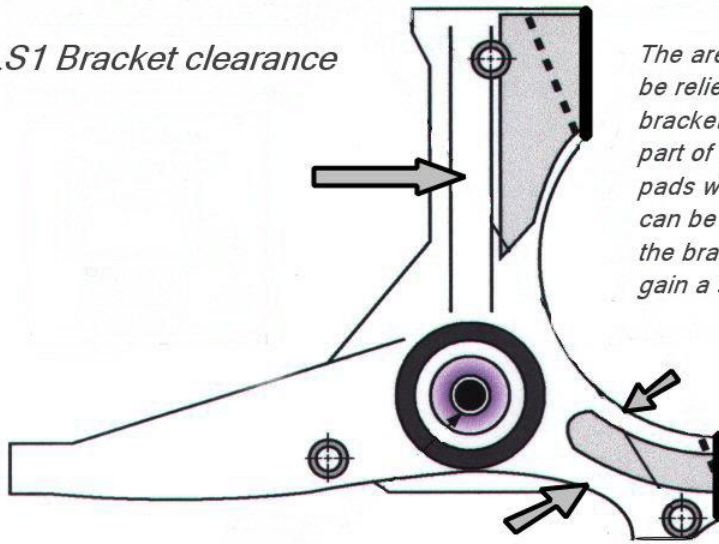


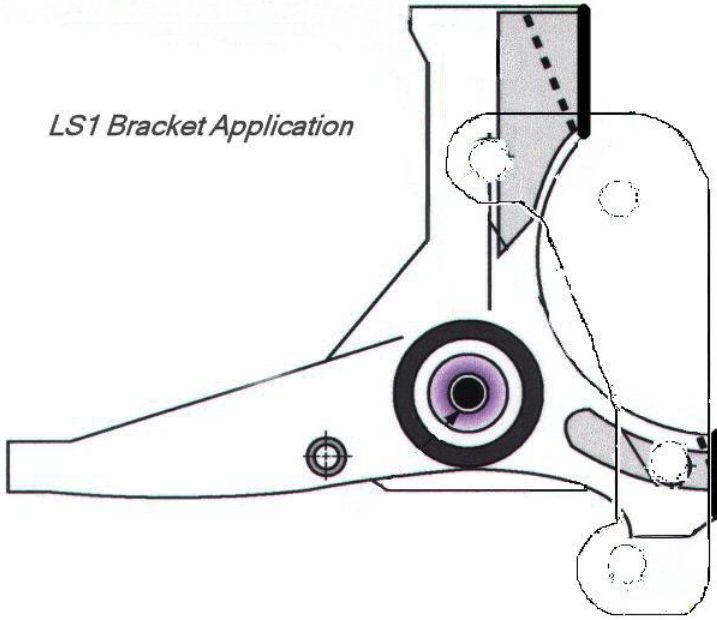
LS1 Bracket clearance



The areas marked by the arrows need to be relieved to gain clearance for the adapter bracket. The adapter bracket touching any part of the spindle besides the dust shield pads will cause a mis-alignment. Material can be removed from the spindle easier than the bracket, remove no more than needed to gain a suitable amount of clearance.



LS1 Bracket Application



 THE **BIG BRAKE** UPGRADE